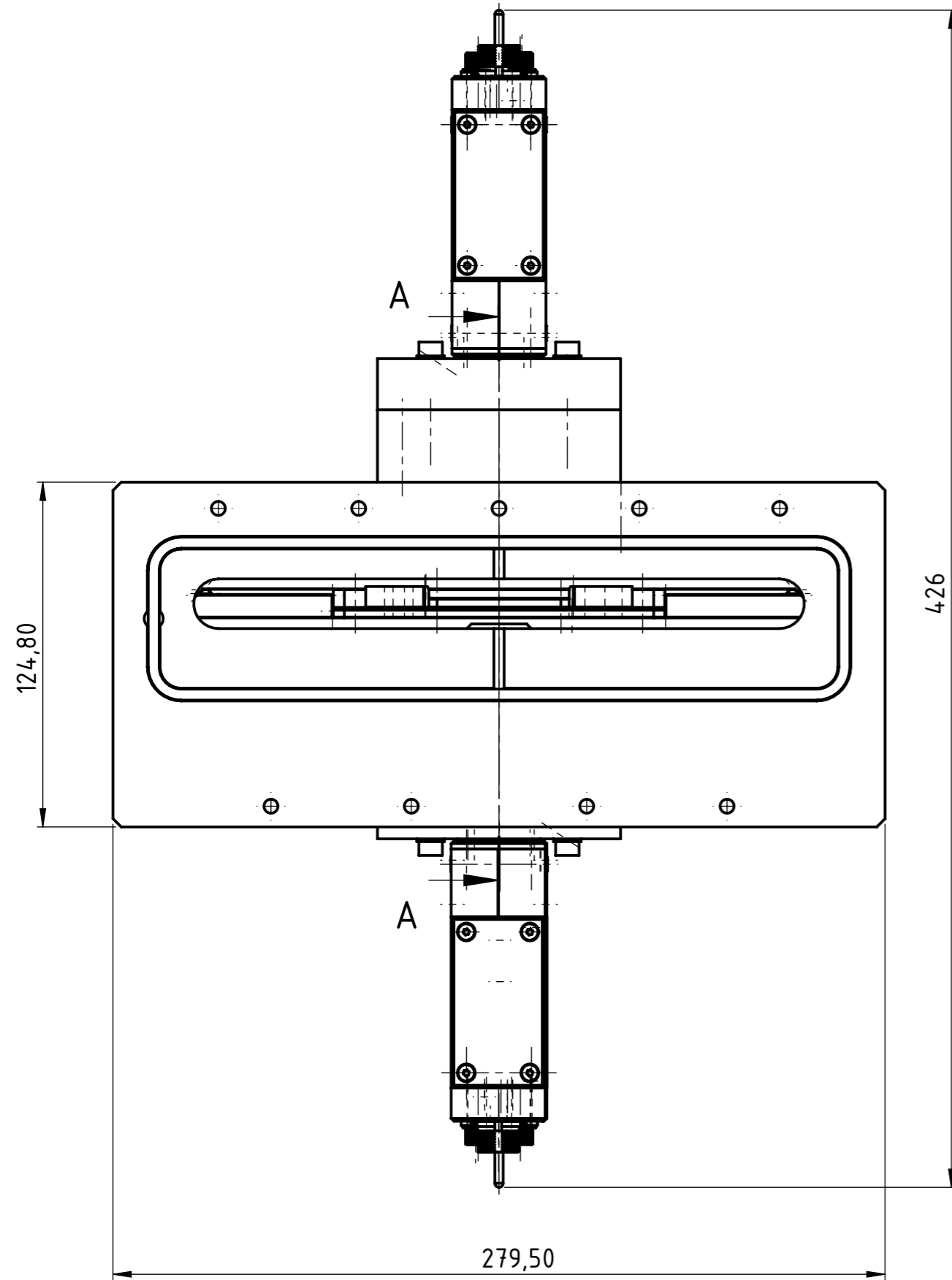


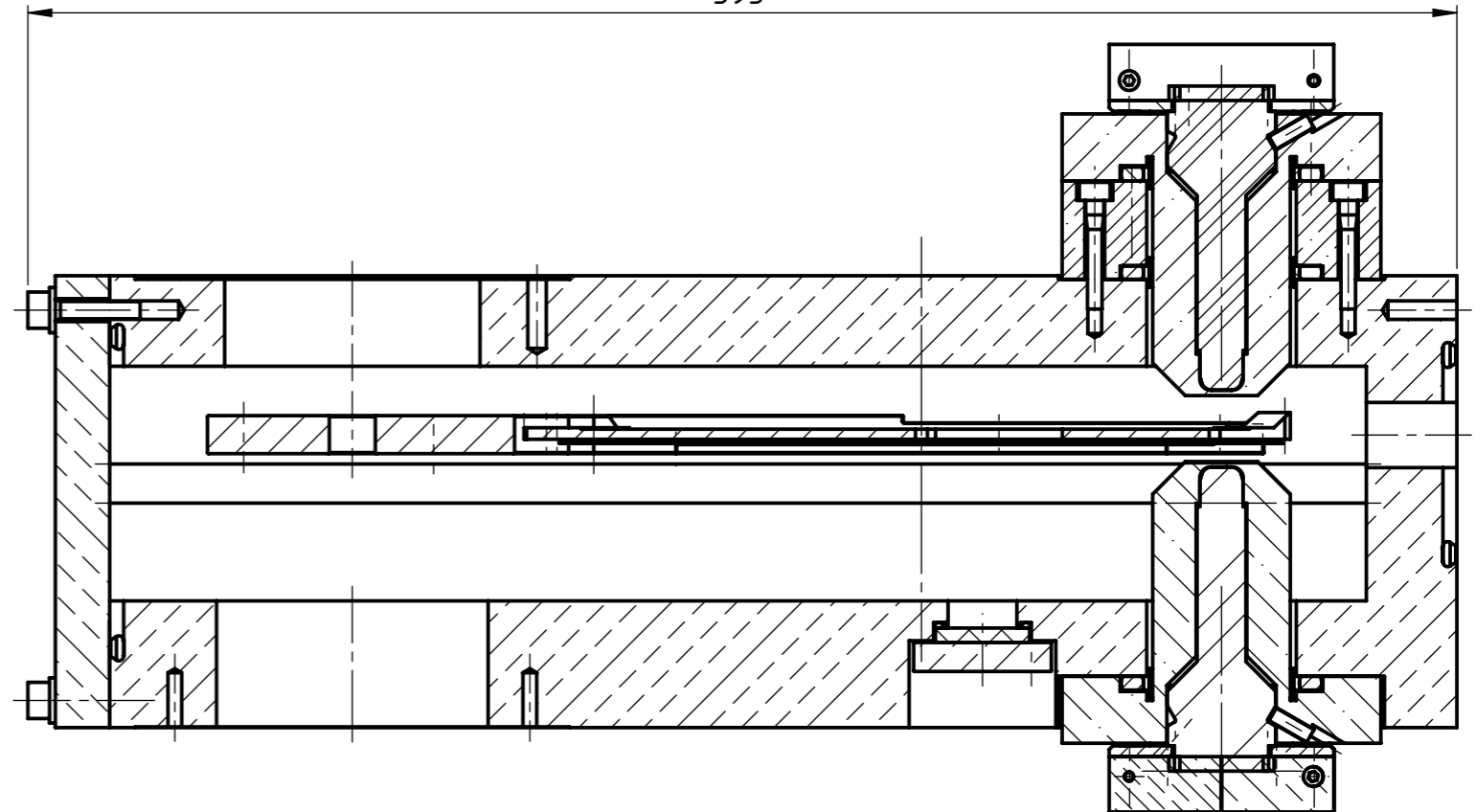
refer to protection notice ISO 16016



426

A-A

395



application range			scale	DIN A3 1:2	weight	23153.53g
			semi-finished product	material		
			drawing name			
			MCM			
			part number			
			OP17555-MA001-A			
			sheet			
			1			
version	change	date	name	project	Projekt	
				dimensions	288,9mm x 426,2mm x 387,0mm	
						of 1



part number
OP17555-MA001-A

sheet
1

dimensions 288,9mm x 426,2mm x 387,0mm

of 1